

**HELI**  
LIFTING THE FUTURE

**1.4-1.6 ton**  
**CDD14-CDD16**  
**AC ELECTRIC PALLET STACKING TRUCKS**



- **Operator handle**

Ergonomic designed handle is easy and comfort controlled, with two solenoid it can achieve three lowering speed to meet different needs.



- **Electric power steering system (EPS)**

The steering system is not connected with the driving system to prevent any disadvantage that they move together, when the handle turning the driving unit no longer needs turning accordingly. EPS is more effective and precise, its module design and malfunction display provides fast and simple self diagnosis function.

- **AC drive motor and Curtis AC controller**

AC drive motor offers excellent power performance even on full load, Curtis controller has advanced cooling system and compact and sealed design.

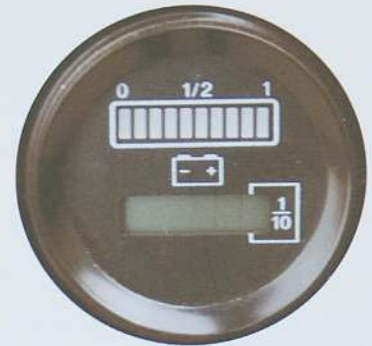
- **Drive wheel friction automatic compensation system**

Central pressure boost cylinder linked with the hydraulic system, the cylinder pressure is increased accordingly as the load increasing, it add more pressure to the driving wheel to ensure the best friction on the ground, this design solves the problem in the industry that the driving wheel is easy skid with full load.



- **Multi-function instrument**

It includes the hour meter, and battery discharge indicator (BDI) to inform the operator to recharge the battery in time.



- **Easy change battery side extraction**

The battery can be pulled out from side makes the battery changing more convenient and quickly.



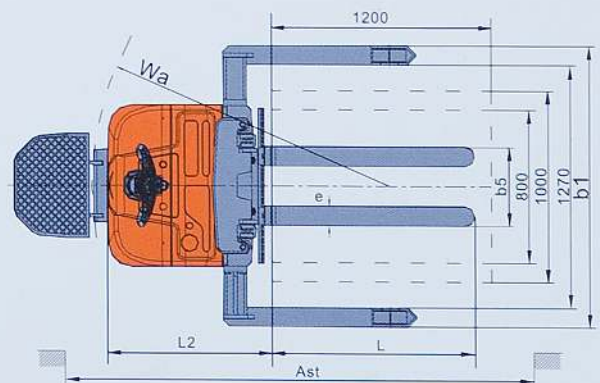
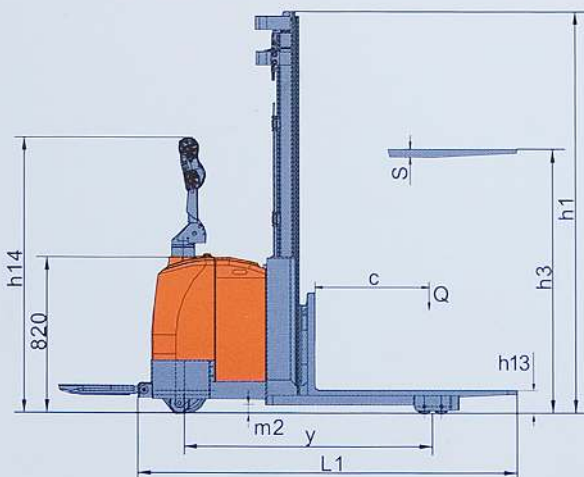
- **Sealed stabilizer wheel**

Special design sealed stabilizer wheel not only eliminates the fiber material intertwined, but also ensure the stability during driving and steering, effectively reduces the sway and side turn over.





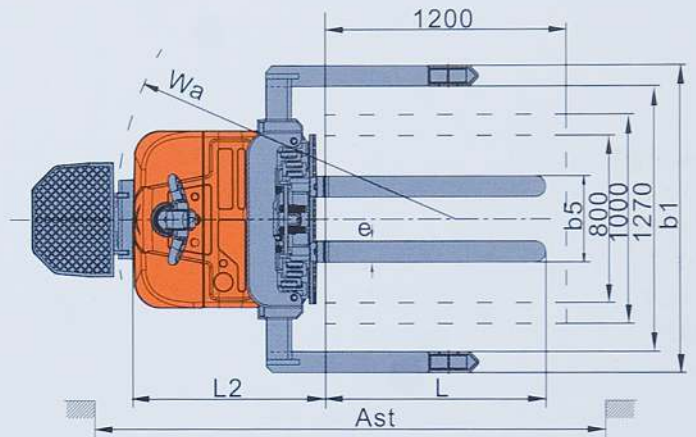
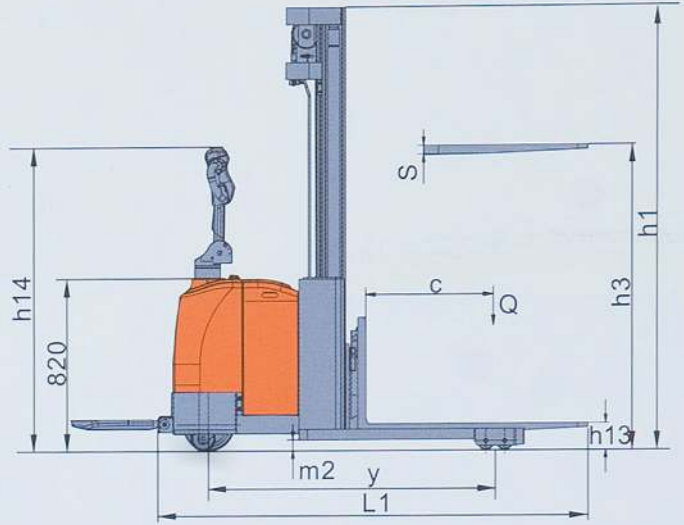
Characteristics					
1	Model Designation		CDD14	CDD16	CDD16
2	Configuration Number		920	D920	960
3	Power type		electric (battery)		
4	Operator Type		pedestrian/stand-on		
5	Load capacity	Q (kg)	Refer to related load curve and mast configuration table		
6	Load center	c(mm)	600		
7	Wheelbase	y(mm)	1310		1375
Wheels					
8	Tyre Type		PU		
9	Wheels number, stabilizer/load (x=driving wheels)		1x+2/4		
Dimensions					
10	Standard lift height	h3 (mm)	3000		3700
11	Closed Mast height	h1 (mm)	1980		1800
12	Extended Mast height	h4 (mm)	3690		4390
13	Height of handle in neutral position	h14 (mm)	1450		
14	Overall length, platform up	L1 (mm)	1995		2055
15	Length to face of forks	L2 (mm)	865		933
16	Overall Width	b1 (mm)	1470		
17	Height, fork lowered	h13 (mm)	55		
18	Fork dimensions, thickness/ width/ length	s/e/L(mm)	40/100/1070		
19	Width overall forks	b5 (mm)	200-812		
20	Ground clearance	m2 (mm)	50		
21	Outside turning radius, platform up/down	Wa(mm)	1565/1975		1630/2040
22	Right angle stacking aisle width for pallets 800×1200mm, platform up/down (clearance: 200)	Ast (mm)	2430/2760		
23	Right angle stacking aisle width for pallets 1000×1200mm, platform up/down (clearance: 200)	Ast (mm)	2460/2785		
Performance					
24	Travel speed,with/without load	km/h	4.5/4.5		
25	Lifting speed,with/without load	mm/s	130/230		110/210
26	Lowering speed,with/without load	mm/s	110/160		110/230
27	Gradeability,with/without load	%	5/7		
28	Service Brake		Electromagnetic brake		
Motor					
29	Drive motor power	kW	AC 1.5		
30	Lift motor power	kW	DC 3		
31	Battery voltage/ capacity	V/ Ah	24/280		
Weight					
32	Battery Weight	kg	234		
33	Weight (include battery)	kg	1280	1330	1606



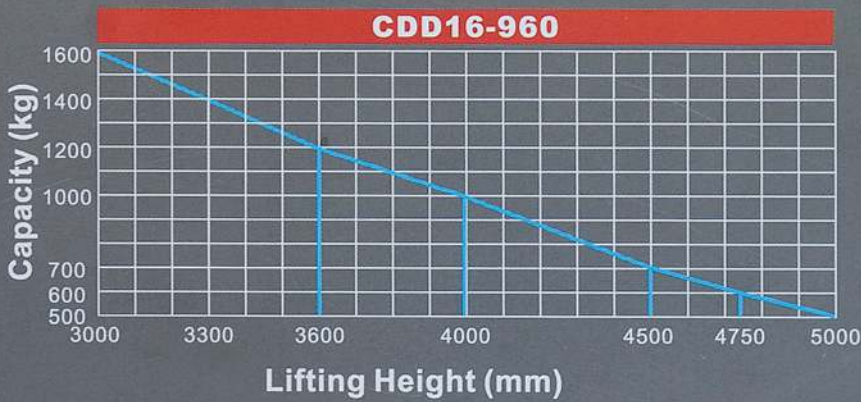
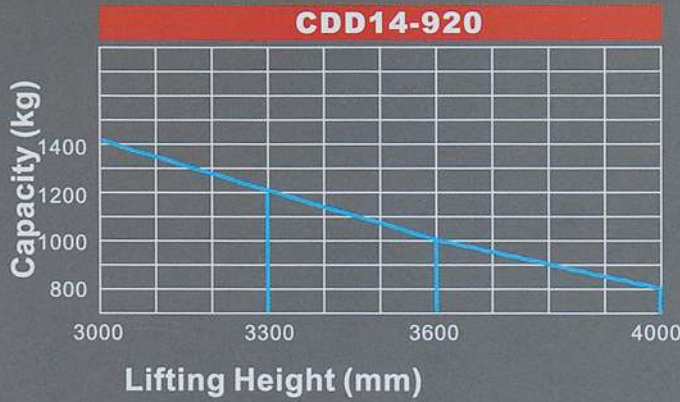
CDD14-920  
CDD16-D920

**HELI**

**1.4-1.6ton  
CDD14-CDD16  
AC ELECTRIC PALLET STACKING TRUCKS**



CDD16-960



Wide view full free 3-stage Mast for CDD16-960					
Mast model	Lifting height (mm)	Load capacity (kg)	Closed mast height (mm)	Extended mast height (mm)	Free lift (mm)
ZSM370	3700	1150	1800	4390	1335
ZSM390	3900	1050	1900	4590	1448
ZSM400	4000	1000	1985	4690	1520
ZSM450	4500	700	2085	5190	1620
ZSM470	4700	600	2135	5390	1670
ZSM500	5000	500	2235	5690	1770

Wide view Mast for CDD14-920 and CDD16-D920					
Mast model	Lifting height (mm)	Load capacity (kg)		Closed mast height (mm)	Extended mast height (mm)
		CDD14-930	CDD16-D930		
M250	2500	1400	1600	1765	3190
M270	2700	1400	1600	1865	3390
M300	3000	1400	1600	1980	3690
M330	3300	1200	1400	2135	3990
M360	3600	1000	1200	2335	4290
M400	4000	800	1000	2500	4690