

HELI

1-3.5 t

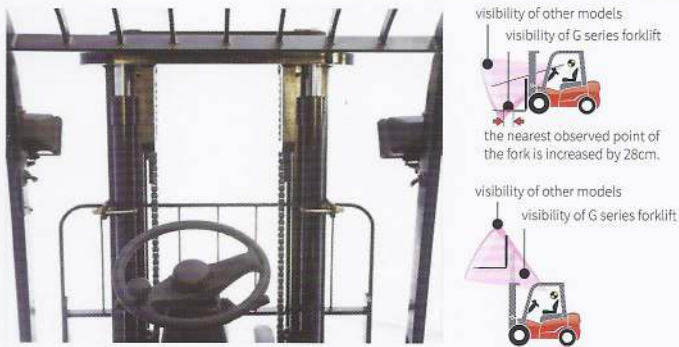
**G series Internal Combustion
Counterbalanced
Forklift Truck**



www.heliforklift.net

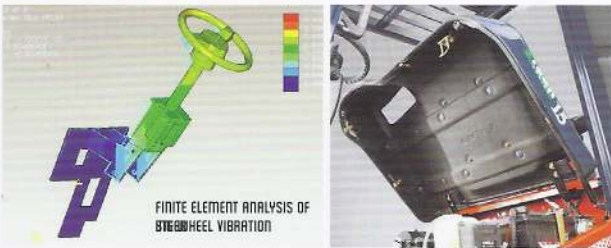
G SERIES 1-3.5 t

A reliable mast



The impact and vibration of mast are reduced significantly by using buffer device. Through finite element analysis plus optimizing the structural parameters, the vibration acceleration is reduced by 40%.

More scientific and environmental design



Equipped with high-quality engine, the emission meets the latest European EC and the EPA environmental regulation. The use of Non-asbestos insulation equipment is very effective to lower down the noise.

The innovative design and optimized configuration of the lifting system improve the operators' visibility greatly, and provide a clear and accessible focus of vision to ensure the safety & efficiency of operating.

More powerful



G series forklifts greatly enhance various aspects of key performances particularly in power performance through reducing the losses of engine torque nearly twice as before.

↓ 2%

the fuel consumption is reduced

↑ 8.2%

the maximum lifting speed is increased

↑ 3%

the gradeability is increased

↑ 9%

the maximum drawbar pull is increased



More comfortable ergonomic design



Through optimum design of the hood and tilt cylinder, the space for driver's leg is twice wider than other models, the bigger footplate make the operators to get on and off with ease. Such capacious space ensures the operating more comfortable.



The sedan-type display and double-handle combined F/R direction switch to ensure more convenient and smooth operation.

Labor-saving mini-type steering wheel. Suspension seat with armrests, seat belts. Safe and comfortable.

Excellent safety performance



Profiled steel for overhead guard

As the first forklift producer to use profiled steel for overhead guard in china, our g series forklift is available with embedded cabin doors to ensure more safety and seal performance.

Greatly enhanced frame strenght

G series forklifts have much stronger frame structure, while its structural strength meets the ANSI/ITSDFB56.1 (American National Regulation) requirements.



G SERIES 1-3.5t

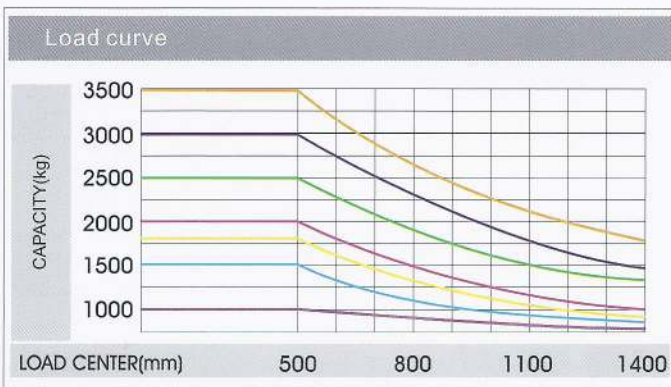
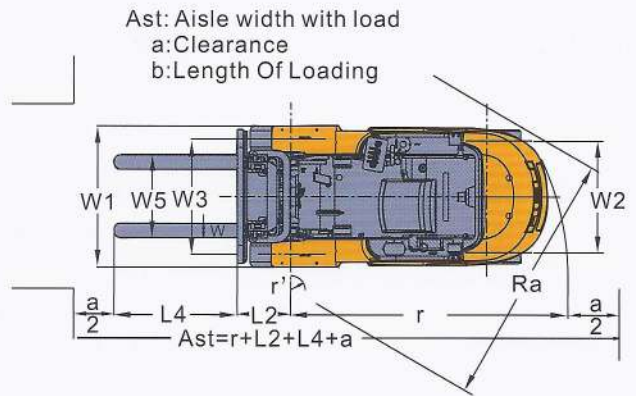
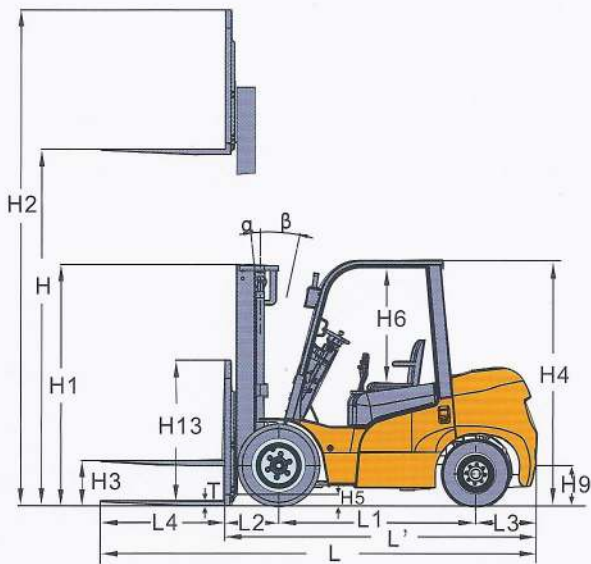
Manufacturers Data and Design Characteristics

Characteristics								
1	Manufacturer							
2	Model	CPCD10	CPCD15	CPCD18	CPCD20	CPCD25		
3	Power unit	Diesel						
4	Rated Capacity	kg	1000	1500	1750	2000	2500	
5	Load Center	mm	500					
6	Operation	Seated						
Dimensions								
7	Overall max.lifting height (with backrest)	H2	mm	4039	4039	4039	4039	4039
8	Max.Lifting height	H	mm					
9	Height mast retracted(upright)	H1	mm	1995	1995	1995	2000	2000
10	Free lift height	H3	mm	152	155	155	140	140
11	Backrest height(from upper face of forks)	H13	mm	1017	1014	1014	1004	1004
12	Overhead Guard clearance(from face of seat)	H6	mm	1030	1030	1030	1035	1035
13	Overall height(overhead guard)	H4	mm	2140	2140	2140	2140	2140
14	Overall length(with forks)	L	mm	2936	3150	3193	3430	3650
15	Overall length(without forks)	L'	mm	2166	2230	2273	2510	2580
16	Front overhang	L2	mm	410	413	413	475	475
17	Rear overhang	L3	mm	355	415	455	440	510
18	Wheel base	L1	mm	1410	1410	1410	1600	1600
19	Coupler height	H9	mm	250	250	250	245	245
20	Min.ground clearance under mast	H5	mm	110	110	110	110	110
21	Overall width	W1	mm	1075	1075	1090	1150	1150
22	Lateral fork adjustment outside of fork(Max./Min.)	W5	mm	950/200	950/200	950/200	1024/200	1024/200
23	Tread(front)	W3	mm	900	900	930	970	970
24	Tread(rear)	W2	mm	930	930	930	970	970
25	Outside turning radius	r	mm	1870	1950	1980	2170	2240
26	Inside turning radius	r'	mm	110	110	95	160	160
27	Min.intersecting aisle	Ra	mm	1945	2025	2055	2200	2280
28	Tilting angles(forward/backward)	α/β	deg	5 /10	5 /10	5 /10	6 /12	6 /12
29	Fork dimensions	L4xWxT	mm	770×100×32	920×100×35	920×100×35	920×122×40	1070×122×40
Performance								
30	Max. Traveling speeds(With/Without load)	km/h	17/18	17/18	17/18	17/19	17/19	
31	Lifting Speeds(With/Without load)	mm/s	570/600	570/600	570/600	550/600	550/600	
32	Lowering Speeds(With/Without load)	mm/s	450/550	450/550	450/550	450	450	
33	Max. Draw-bar pull,(With/Without load)	kN	17.8/6.9	17.8/6.9	17.8/6.9	17/8.33	17/8.88	
34	Max. Negotiable Gradient(With/Without load)	%	42/25	40/19	36/18	28/20	25/18	
Weights								
35	Service Mass	kg	2300	2760	2970	3480	3800	
36	Load Wheel with load(Front/Rear)	kg	2900/400	3705/555	4060/660	4878/602	5607/693	
37	Load Wheel without load(Front/Rear)	kg	1040/1260	1187/1573	1145/1825	1392/2088	1520/2280	
Tyres								
38	Wheels number front/rear(x=driven)							
39	Tyre Type							
40	Tyre size(front)	6.50-10-10PR	6.50-10-10PR	6.50-10-10PR	7.00-12-12PR	7.00-12-12PR		
41	Tyre size(rear)	5.00-8-8PR	5.00-8-8PR	5.00-8-8PR	6.00-9-10PR	6.00-9-10PR		
42	Service Brake							
43	Paking Brake							
Drive								
44	Battery (Voltage/Capacity)	V/Ah	12/80					
45	Internal Combustion Engine Model	KUBOTA V2403(Tier 3)						
46	Internal Combustion Engine Rated Output	kW/rpm	34.1/2400					
47	Internal Combustion Engine Rated Torque	Nm/rpm	155.9/1600					
48	Internal Combustion Engine Number of Cylinder	4-87×102.4						
49	Internal Combustion Engine Displacement	L	2.434					
50	Internal Combustion Engine Fuel Tank Capacity	L	46				66	
51	Transmission type							
52	Transmission Number of Speed Fwd/Bwd							



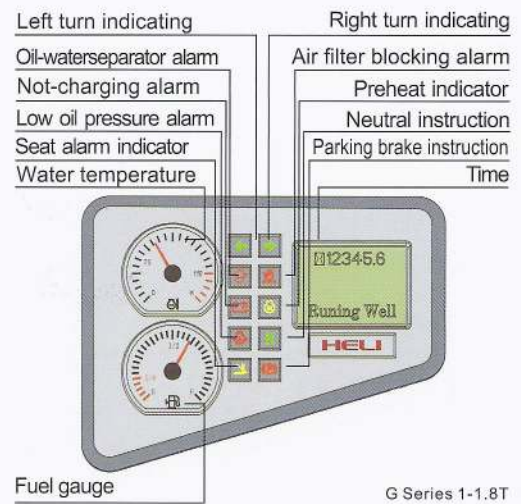
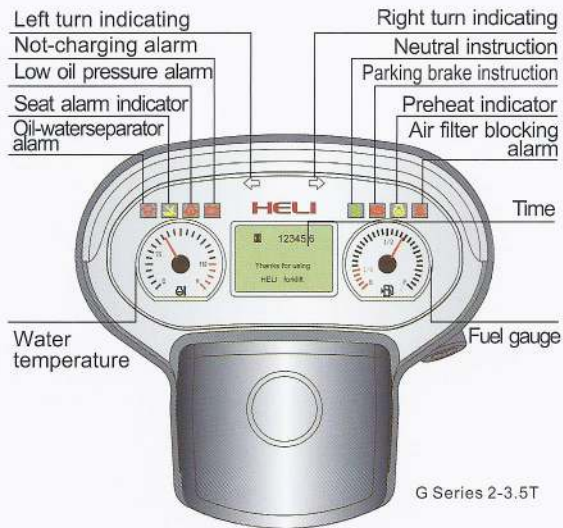
HELI

CPCD30	CPCD35	CPQ(Y)D10	CPQ(Y)D15	CPQ(Y)D18	CPQ(Y)D20	CPQ(Y)D25	CPQ(Y)D30	CPQ(Y)D35
Gasoline / LPG / Dual fuel								
3000	3500	1000	1500	1750	2000	2500	3000	3500
500 Seated								
4217	4217	4039	4039	4039	4039	4039	4217	4217
3000								
2070	2180	1995	1995	1995	2000	2000	2070	2180
145	150	152	155	155	140	140	145	150
1182	1177	1017	1014	1014	1004	1004	1182	1177
1035	1035	1030	1030	1030	1035	1035	1035	1035
2170	2170	2140	2140	2140	2140	2140	2170	2170
3770	3840	2936	3150	3193	3430	3650	3770	3840
2700	2770	2166	2230	2273	2510	2580	2700	2770
480	485	410	413	413	475	475	480	485
525	585	355	415	455	440	510	525	585
1700	1700	1410	1410	1410	1600	1600	1700	1700
250	250	250	250	250	245	245	250	250
135	135	110	110	110	110	110	135	135
1225	1285	1075	1075	1090	1150	1150	1225	1285
1060/250	1060/250	950/200	950/200	950/200	1024/200	1024/200	1060/250	1060/250
1000	1060	900	900	930	970	970	1000	1060
970	970	930	930	930	970	970	970	970
2400	2420	1870	1950	1980	2170	2240	2400	2420
200	200	110	110	95	160	160	200	200
2380	2400	1945	2025	2055	2200	2280	2380	2400
6 /12	6 /12	5 /10	5 /10	5 /10	6 /12	6 /12	6 /12	6 /12
1070×125×45	1070×125×50	770×100×32	920×100×35	920×100×35	920×122×40	1070×122×40	1070×125×45	1070×125×50
18/19	19/19	17/18	17/18	17/18	17/19	17/19	18/19	19/19
500/550	450/480	570/600	570/600	570/600	550/600	550/600	500/550	450/480
450	450	450/550	450/550	450/550	450	450	450	450
16/9.8	16.5/9.8	14.2/6.9	14.2/6.9	14.2/6.9	16.4/8.3	16.4/8.3	14.5/9.8	16.5/9.8
23/20	22/20	37/22	27/18	24/17	26/20	24/18	23/20	20/18
4400	5000	2300	2760	2970	3480	3800	4400	5000
6500/900	7600/900	2900/400	3705/555	4060/660	4878/602	5607/693	6500/900	7600/900
1760/2640	2000/3000	1040/1260	1187/1573	1145/1825	1392/2088	1520/2280	1760/2640	2000/3000
2X/2								
Pneumatic								
28×9-15-12PR	28×9-15-14PR	6.50-10-10PR	6.50-10-10PR	6.50-10-10PR	7.00-12-12PR	7.00-12-12PR	28×9-15-12PR	28×9-15-14PR
6.50-10-10PR	6.50-10-10PR	5.00-8-8PR	5.00-8-8PR	5.00-8-8PR	6.00-9-10PR	6.00-9-10PR	6.50-10-10PR	6.50-10-10PR
Hydraulic-Foot Pedal								
Mechanical-Hand Lever								
12/80	12/60			12/60			12/60	
ISUZU-4JG2(Tier 3)	GCT (NISSAN) K15			GCT(NISSAN) K21			GCT(NISSAN) K25	
35/2450	23.6/2400			31.2/2250			37.4/2400	
170/1700	103/1600			143.7/1600			176.5/1600	
4-95.4×107.0	4-75.5×83			4-89×83			4-89×100	
3.059	1.468			2.065			2.488	
70	46			66			70	
Power Shift								
1/1								



- CPQD10/CPCD10
- CPQD15/CPCD15
- CPQD18/CPCD18
- CPQD35/CPCD35
- CPQD30/CPCD30
- CPQD25/CPCD25
- CPQD20/CPCD20

Note:
Vertical axle stands for load capacity while horizontal axle stands for load center. Load center is the distance counted from the front of the fork. The base point of the standard load is the center point of the cubic with the same 1000mm dimension in length, width and height. The load capacity should be down, if mast tilts forward, using non-standard forks or loading goods with extra width. Please notice the different load capacity between different load centers according to load chart.



Engine Model and Main Specification for Option

Internal Combustion Engine Model	Internal Combustion Engine Rate horse power	Internal Combustion Engine Rate torque	Internal Combustion Engine Displacement	Internal Combustion Engine Number of Clinder	Model
ISUZU4JG2	44.9/2450	186.3/1600~1800	3.059	4	CPCD20-35
ISUZUC240 (Tier 3)	35.4/2500	139.9/1800	2.369	4	CPCD10-30
JMC493	39/2500	165/1800	2.771	4	CPCD20-35
KUBOTA V3600(Tier 3)	46.9/2400	210/1600	3.62	4	CPCD20-35
Mitsubishi 4G64	GAS:48/2700 LPG:46/2700	GAS:170/2400 LPG:168/1600	2.351	4	CP(Q)YD10-35

WIDE VIEW MAST

Mast model	Max. fork height mm	Capacity at 500mm; Load center (kg)							Overall Mast Height (mm)				Tilting Angle		Service Weight (kg)						
		CPQD10 CPCD10	CPQD15 CPCD15	CPQD18 CPCD18	CPQD20 CPCD20	CPQD25 CPCD25	CPQD30 CPCD30	CPQD35 CPCD35	1-1.8t	2-2.5t	3t	3.5t	1-1.8t	3-3.5t	CPQD10 CPCD10	CPQD15 CPCD15	CPQD18 CPCD18	CPQD20 CPCD20	CPQD25 CPCD25	CPQD30 CPCD30	CPQD35 CPCD35
M200	2000	1000	1500	1750	2000	2500	3000	3500	1495	1495	1570	1680	5-10°	6-12°	2240	2700	2910	3400	3720	4320	4920
M250	2500	1000	1500	1750	2000	2500	3000	3500	1745	1745	1820	1930	5-10°	6-12°	2265	2725	2935	3440	3760	4360	4960
M300	3000	1000	1500	1750	2000	2500	3000	3500	1995	1995	2070	2180	5-10°	6-12°	2300	2760	2970	3480	3800	4400	5000
M330	3300	1000	1500	1750	2000	2500	3000	3500	2145	2145	2220	2330	5-10°	6-12°	2315	2775	2985	3500	3820	4425	5020
M350	3500	1000	1500	1750	2000	2500	3000	3500	2245	2245	2320	2430	5-10°	6-12°	2330	2790	3000	3520	3840	4440	5040
M370	3700	1000	1500	1750	2000	2500	3000	3500	2345	2345	2420	2530	5-6° *5-10°	6-6° *6-12°	2350	2810	3020	3540	3860	4460	5060
M400	4000	1000	1500	1750	2000	2500	3000	3500	2545	2545	2620	2730	5-6° *5-10°	6-6° *6-12°	2390	2850	3060	3560	3880	4480	5080
M425	4250	950	1400	1650	1900	2250	2850	3100	2670	2670	2745	2855	5-10° *5-10°	6-12° *6-12°	2405	2865	3075	3580	3900	4500	5100
M450	4500	950	1300	1550	1800	2150	2750	3000	2795	2795	2870	2980	5-6° *5-10°	6-6° *6-12°	2420	2880	3090	3600	3920	4520	5120
M500	5000	930	1400	1650	1900	2250	2850	3100	3045	3045	3120	3230	5-6° *5-6°	6-6° *6-6°	2455	2915	3125	3640	3960	4560	5160
M550	5500	900	1350	1600	1850	2200	2850	3100	3345	3345	3420	3530	*3-6°	*3-6°	2620	3080	3290	3680	4000	4600	5200
M600	6000	850	1050	1400	1500	1800	2200	2300	3595	3595	3670	3780	*3-6°	*3-6°	2650	3110	3320	3720	4040	4640	5240

NOTE: 1-1.8T(1)*(Front wheel) is dual wheels load capacity.
 (2)Max lifting without lift-bracket:-370mm.
 2-3.5T(1)Dual wheels weight:+110kg.
 (2)*(Front wheel) is dual wheels load capacity.

WIDE VIEW FULL FREE 2-STAGE MAST

Mast model	Max. fork height mm	Capacity at 500mm; Load center (kg)							Overall Mast Height (mm)				Free Lift (with Backset)				Tilting Angle		Service Weight (kg)						
		CPQD10 CPCD10	CPQD15 CPCD15	CPQD18 CPCD18	CPQD20 CPCD20	CPQD25 CPCD25	CPQD30 CPCD30	CPQD35 CPCD35	1-1.8t	2-2.5t	3t	3.5t	1-1.8t	2-2.5t	3t	3.5t	1-1.8t	3-3.5t	CPQD10 CPCD10	CPQD15 CPCD15	CPQD18 CPCD18	CPQD20 CPCD20	CPQD25 CPCD25	CPQD30 CPCD30	CPQD35 CPCD35
ZM200	2000	1000	1500	1750	2000	2500	3000	3500	1495	1495	1570	1680	470	490	388	503	5-10°	6-12°	2255	2725	2945	3440	3760	4370	4970
ZM250	2500	1000	1500	1750	2000	2500	3000	3500	1745	1745	1820	1930	720	740	638	753	5-10°	6-12°	2315	2785	3005	3480	3800	4410	5010
ZM300	3000	1000	1500	1750	2000	2500	3000	3500	1995	1995	2070	2180	970	990	888	1003	5-10°	6-12°	2350	2820	3040	3520	3840	4450	5050
ZM330	3300	1000	1500	1750	2000	2500	3000	3500	2145	2145	2220	2330	1120	1140	1038	1153	5-10°	6-12°	2370	2840	3060	3560	3880	4480	5080
ZM350	3500	1000	1500	1750	2000	2500	3000	3500	2245	2245	2320	2430	1220	1240	1138	1253	5-10°	6-12°	2385	2855	3075	3570	3890	4490	5090
ZM370	3700	1000	1500	1750	2000	2500	3000	3500	2370	2370	2420	2530	1345	1340	1238	1353	5-6° *5-10°	6-6° *6-12°	2400	2870	3090	3590	3900	4520	5120
ZM400	4000	1000	1500	1750	2000	2500	3000	3500	2545	2545	2620	2730	1520	1540	1438	1553	5-6° *5-10°	6-6° *6-12°	2450	2920	3140	3610	3930	4540	5140
ZM425	4250	950	1400	1650	1900	2250	2850	3100	2670	2670	2745	2855	1645	1665	1563	1678	5-6° *5-10°	6-6° *6-12°	2470	2940	3160	3640	3960	4560	5160
ZM450	4500	950	1300	1550	1800	2150	2750	3000	2795	2795	2870	2980	1770	1790	1688	1803	5-6° *5-10°	6-6° *6-12°	2485	2955	3175	3660	3980	4580	5180
ZM500	5000	930	1400	1650	1900	2250	2850	3100	3045	3045	3120	3230	2020	2040	1938	2053	5-6° *5-6°	6-6° *6-6°	2520	2990	3210	3710	4030	4620	5220
ZM550	5500	900	1350	1600	1850	2200	2850	3100	3345	3345	3420	3530	2320	2340	2238	2353	*3-6°	*3-6°	2695	3165	3385	3750	4070	4660	5260
ZM600	6000	850	1050	1400	1500	1800	2200	2300	3595	3595	3670	3780	2570	2590	2488	2603	*3-6°	*3-6°	2730	3200	3420	3790	4110	4710	5310

NOTE: 1-1.8T(1)Max lifting without lift-bracket:-370mm.
 (2)Free lifting height without bracket :+370mm.
 (3)*(Front wheel) is dual wheels load capacity.
 2-3.5T(1)Free lifting height without bracket :+397mm
 3t Free lifting height without bracket :+490mm.
 3.5t Free lifting height without bracket :+412mm.
 (2)Dual wheels weight:+110kg.
 (3)*(Front wheel) is dual wheels load capacity.

WIDE VIEW FULL FREE 3-STAGE MAST

Mast model	Max. fork height mm	Capacity at 500mm; Load center (kg)							Overall Mast Height (mm)				Free Lift (with Backset)				Tilting Angle		Service Weight (kg)						
		CPQD10 CPCD10	CPQD15 CPCD15	CPQD18 CPCD18	CPQD20 CPCD20	CPQD25 CPCD25	CPQD30 CPCD30	CPQD35 CPCD35	1-1.8t	2-2.5t	3t	3.5t	1-1.8t	2-2.5t	3t	3.5t	1-1.8t	3-3.5t	CPQD10 CPCD10	CPQD15 CPCD15	CPQD18 CPCD18	CPQD20 CPCD20	CPQD25 CPCD25	CPQD30 CPCD30	CPQD35 CPCD35
ZSM360	3600	1000	1450	1750	2000	2400	2900	3300	1790	1795	1930	1930	770	785	740	745	5-6°	6-6°	2395	2865	3085	3640	3960	4550	5150
ZSM400	4000	1000	1400	1600	1900	2400	2900	3300	1920	1920	2055	2055	900	910	865	870	5-6°	6-6°	2420	2890	3110	3660	3980	4580	5180
ZSM430	4350	900	1350	1550	1850	2200	2800	3000	2040	2045	2180	2180	1020	1035	990	995	5-6°	6-6°	2445	2915	3135	3690	4010	4610	5200
ZSM450	4500	950	1350	1550	1800	2150	2700	2900	2090	2095	2230	2230	1070	1085	1040	1045	5-6°	6-6°	2475	2920	3145	3700	4020	4620	5220
ZSM470	4700	900	1300	1450	1720	2000	2600	2650	2160	2160	2230	2230	1140	1150	1040	1045	5-6°	6-6°	2485	2930	3155	3700	4020	4620	5230
ZSM480	4800	920	1350	1580	1800	2150	2700	2900	2190	2195	2330	2330	1170	1185	1140	1145	5-6°	6-6°	2495	2945	3160	3720	4040	4640	5240
ZSM500	5000	900	1300	1450	1700	2000	2600	2650	2290	2295	2430	2430	1270	1285	1240	1245	5-6°	6-6°	2520	2950	3185	3740	4060	4660	5260
ZSM540	5400	900	1250	1500	1700	2150	2650	2700	2420	2420	2555	2555	1390	1410	1365	1370	3-6°	3-6°	2540	2985	3205	3770	4090	4680	5280
ZSM600	6000	850	1100	1400	1600	2150	2650	2700	2650	2645	2780	2780	1620	1635	1590	1595	3-6°	3-6°	2600	3045	3265	3800	4120	4730	5330

NOTE: 1-1.8T(1)Max lifting without lift-bracket:-370mm.
 (2)Free lifting height without bracket :+370mm.
 (3)*(Front wheel) is dual wheels load capacity.
 2-3.5T(1)Free lifting height without bracket :+397mm.
 3t Free lifting height without bracket :+490mm.
 3.5t Free lifting height without bracket :+412mm.
 (2)Dual wheels weight:+110kg.
 (3)*(Front wheel) is dual wheels load capacity.

HELI



1-3.5t

G series internal combustion counterbalanced forklift truck

Standard configuration

Hour meter
Horn
Oil pressure alarm
Two-spool control valve
Power steering
Rubber pedal pad
Backrest
Back view mirror
Front combined lights
Transmission oil filter
Engine flameout device
Parking brake cable
Water temperature meter
Attached tools
Rear combined lights
Reversing buzzer
Self-locking tilt valve
Tilt adjustable steering column
Power brake(2-3.5t)
overhead guard rainshelter

Fork
Neutral switch
Hydraulic return oil filter
Flow regulator
Oil gauge
Charging indicator
Wide view mast
Air intake device
Durable tyre
Lifting and tilting operation lever
Traction pin
Hydraulic oil dipstick
Overhead guard
Torque converter oil dipstick
Combined meter
Control box
Electro-hydraulic reversing
Suspension seat
Travelling control system

Optional

Cab
Warning light
High exhaust device
Double air cleaner
Extended fork sleeve
Heater
Solid tyre
Widen fork carriage
Wind glass
Purifying muffler
Fire muffler
Fire extinguisher
Rear working light
Air conditioner (for certain type)
torque converter oil temperature gauge

Tilting cylinder sleeve
Steering cylinder sleeve
Custom color
Optional attachment
Dual tyres and protective device
Rotating seat for lpg
LPG single and dual-fuel sysetem
Steel protection
Smart fleet management system (optional)



ANHUI HELI CO., LTD.

Add / No.668, FangXing Road, Hefei, China

Fax / +86-551-63639966

Tel / +86-551-63639068(America); 63639258(Europe);
63639358(Asia); 63662105(Africa & Middle East);
63639530(Key Accounts Division); 63662105(Wheel loader)

* Our products are subject to improvements and changes without notice.