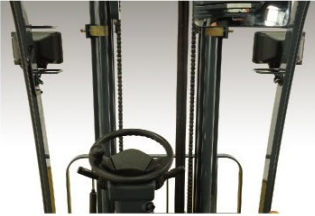




# G 1.25-1.5t G Series Three Wheel AC Electric Forklift Truck (Rear Drive)

## Newly designed wide-view mast



The newly designed wide-view mast enlarges operators' view effectively and reduce the blind area to provide a clearer vision.

## Compact structure



The truck structure is compact, small, suitable for operation in narrow area.

## Excellent maintenance performance



The lifting and Driving with the AC motor, Front axle with wet brake, free maintenance.

## High efficient loading /unloading performance

The newly designed hydraulic system and hydro-cylinder is to provide more efficient loading /unloading performance;

**↑ 33%**

THE MAXIMUM LIFTING SPEED WITHOUT LOAD IS INCREASED BY 33%

**↑ 16.7%**

THE MAXIMUM LIFTING SPEED WITH LOAD IS INCREASED BY 16.7%



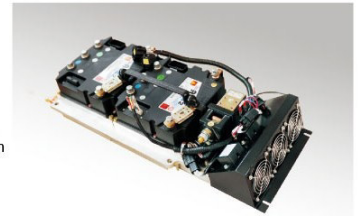
- ✓ New low-speed & high-torque lifting motor
- ✓ Lifting controller
- ✓ New low-noise gear pump with differential tooth technology
- ✓ New dynamic load sensing technology in hydraulic system

## Comfortable operator space



## More intelligent performance

- ✓ AC traction controller
- ✓ AC lifting controller
- ✓ Emergency power shut-down
- ✓ Controller self-protecting
- ✓ Standard CAN BUS
- ✓ Self-barking on ramp
- ✓ Preventing disordered operating
- ✓ Operator presence sensing system



## New drive system

The wonderful combination of AC drive motor and Large ratio gearbox fully enhance the performance of driving; With the use of the renewable energy technology ,the forklift is more efficient and energy-saving.

**↑ 33%**

THE MAXIMUM DRIVING SPEED WITH LOAD IS INCREASES BY 33%

**↑ 13.6%**

THE MAXIMUM DRIVING SPEED WITHOUT LOAD IS INCREASES BY 13.6%



**G series**



REAR DRIVE

**1.25-1.5 t**

G Series Three Wheel  
AC Electric Forklift Truck(Rear Drive)



REAR DRIVE

**1.25-1.5 t**

G Series Three Wheel  
AC Electric Forklift Truck(Rear Drive)

**STANDARD EQUIPMENT**

- Wide view duplex mast
- Standard fork
- II (III) fork carriage
- Fork bracket
- Control valve
- Battery group
- Standard seat
- Overhead guard
- Overhead guard raincoat
- Super-elastic tyre
- Traction bar
- Relevant tools

**OPTIONS AND ATTACHMENTS**

- Carrying ram
- Load stabilizer
- Widened fork carriage
- Longer forks
- lifting hook
- Crane boom
- Load ejector
- Dumping fork
- Fork extended cover
- Rotating flat holding clip
- Side shifter
- Roll Clamp
- Auxiliary hydraulic valve components
- Beacons
- Tilt cylinder jacket
- Colored tires (white/green)
- Rear work light
- Wide view full 2/3-stage mast
- Steel fence
- User can specify the color
- Multi-purpose barrels clamp

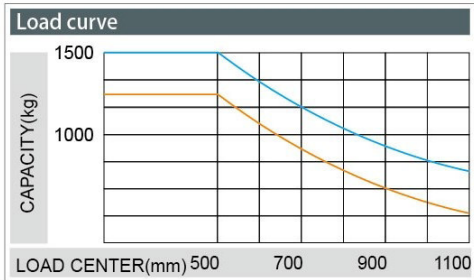
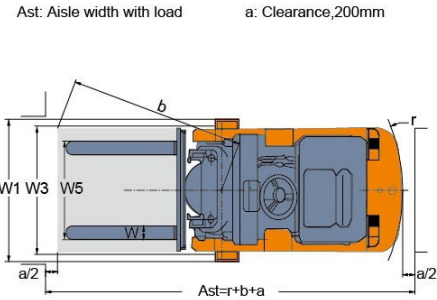
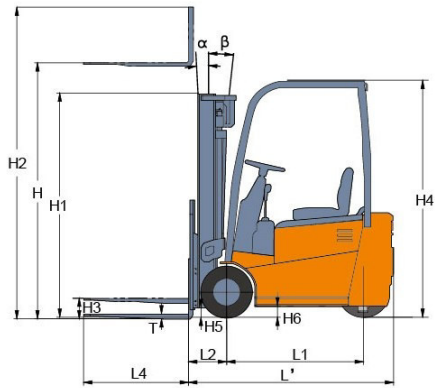


**ANHUI HELI CO., LTD.**

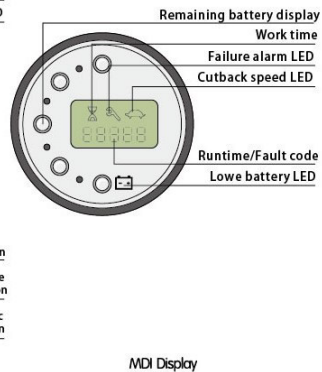
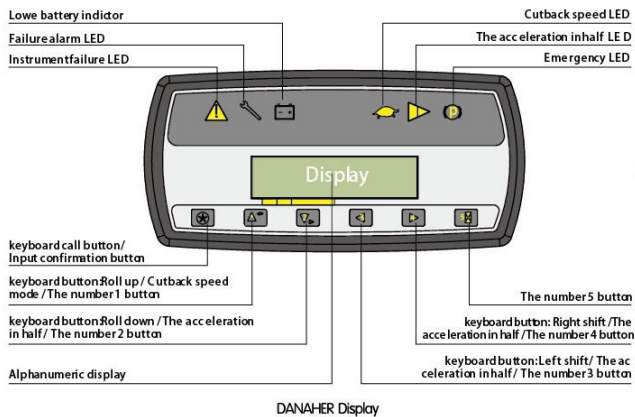
ADD: NO.668 Fangxing Street,Economical Development Zone,Hefei,P.R.China  
 TEL : (86 551)63639068,63639258,63639358,63662105  
 FAX : (86 551)63639966  
 WEBSITE : <http://www.helichina.net>  
 Email : [heli@helichina.net](mailto:heli@helichina.net)

AUTHORIZED DEALER

\* Details of specifications and equipment are based on information available at time of printing and may change without notice.



Note:  
The vertical axis stands for load capacity and the horizontal axis stands for load center which is calculated from the front surface of the forks to the gravity of the standard load. The standard load means a cubic with 1000mm edge length. When mast is tilted forward, using non-standard forks or loading large goods, the load capacity will be reduced. The load capacity of standard mast at different load center can be known from this load chart.



### BATTERY

Model	Compartment size		Battery Specifications	
	WDxLxGxHT	Size	Standard	
CPD15SH	844*499*655	830*489*627	DIN 43535A	
CPD13SH	844*445*655	830*435*627	DIN 43535A	

### WIDE VIEW MAST

Mast model	Max. lift height (mm)	Capacity at 500mm load center (kg)		Height with mast lowered (mm)	Tilt Angle (α/β) (°)
		CPD13SH-GB2	CPD15SH-GA1/GA2/GA3/GB2		
M200	2000	1250	1500	1455	3/6
M250	2500	1250	1500	1705	3/6
M300	3000	1250	1500	1955	3/6
M330	3300	1250	1500	2105	3/6
M350	3500	1250	1500	2205	3/6
M370	3700	1250	1500	2305	3/6
M400	4000	1250	1450	2505	3/6
M425	4250	1250	1350	2630	3/6
M450	4500	1250	1250	2755	3/6
M500	5000	1150	1150	3005	3/3

### WIDE VIEW FULL FREE 2-STAGE MAST

Mast model	Max. lift height (mm)	Capacity at 500mm load center (kg)		Height with mast lowered (mm)	Free lift (With STD backrest) (mm)	Free lift (Without STD backrest) (mm)	Tilt Angle (α/β) (°)
		CPD13SH-GB2	CPD15SH-GA1/GA2/GA3/GB2				
ZM200	2000	1250	1500	1475	425	825	3/6
ZM250	2500	1250	1500	1725	675	1075	3/6
ZM300	3000	1250	1500	1975	925	1375	3/6
ZM330	3300	1250	1500	2125	1075	1475	3/6
ZM350	3500	1250	1500	2225	1175	1575	3/6
ZM370	3700	1250	1500	2325	1275	1675	3/6
ZM400	4000	1250	1450	2525	1475	1875	3/6

### WIDE VIEW FULL FREE 3-STAGE MAST

Mast model	Max. lift height (mm)	Capacity at 500mm load center (kg)		Height with mast lowered (mm)	Free lift (With STD backrest) (mm)	Free lift (Without STD backrest) (mm)	Tilt Angle (α/β) (°)
		CPD13SH-GB2	CPD15SH-GA1/GA2/GA3/GB2				
ZSM360	ZSM360	1250	1500	1720	640	1050	3/6
ZSM400	ZSM400	1250	1500	1855	775	1185	3/6
ZSM435	ZSM435	1250	1500	1970	890	1300	3/6
ZSM450	ZSM450	1250	1450	2020	940	1350	3/6
ZSM470	ZSM470	1200	1450	2090	1010	1420	3/6
ZSM480	ZSM480	1200	1450	2120	1040	1450	3/6
ZSM500	ZSM500	1150	1400	2225	1145	1555	3/3
ZSM540	ZSM540	1100	1350	2375	1295	1705	3/3
ZSM600	ZSM600	900	1000	2595	1515	1925	3/3



### Renewable energy technologies

With the use of the excellent load-sensing steering system and AC controlling renewable energy technologies, the forklift is more energy-saving and the working hour of the battery is extended by 15%.

**↑15%**  
THE PERFORMANCE OF BATTERY INCREASES



# 1.25-1.5 t

G Series Three Wheel  
AC Electric Forklift Truck(Rear Drive)



# G 1.25-1.5t

G Series Three Wheel  
AC Electric Forklift Truck(Rear Drive)

Manufacturer's Data and Design Characteristics

Characteristics			HELI		
1.01	Manufacturer's Name		HELI		
1.02	Model Designation		CPD13SH	CPD15SH	
1.03	Configuration Number		GB2	GA1/GA2/GA3	GB2
1.04	Load Capacity	Q kg	1250	1500	1500
1.05	Load Center	c mm	500	500	500
1.06	Power Type		Battery	Battery	Battery
1.07	Operator Type		Seated	Seated	Seated
1.08	Wheelbase	L1 mm	1146	1200	1200
Wheels & Tyres					
2.01	Tyre Type		Superelastic	Superelastic	Superelastic
2.02	Number of Wheels (x=driven) ,front/rear		2/1x	2/1x	2/1x
2.03	Tread(centre of tyre),front	W3 mm	840 (910*)	840 (910*)	840 (910*)
2.04	Tread(centre of tyre),rear	W4 mm	-	-	-
2.05	Tyre Size, Front		18 × 7-8	18 × 7-8	18 × 7-8
2.06	Tyre Size, Rear		18 × 7-8	18 × 7-8	18 × 7-8
Dimensions					
3.01	Load Distance	L2 mm	330	330	330
3.02	Mast Tilt Angle,F/R	α/β °	3/6	3/6	3/6
3.03	Height with Mast Lowered	H1 mm	1955	1955	1955
3.04	Free Lift	H3 mm	110	110	110
3.05	Standard Lift Height	H mm	3000	3000	3000
3.06	Height with Mast Extended	H2 mm	4008	4008	4008
3.07	Overhead Guard Height	H4 mm	2080	2080	2080
3.08	Fork Size T×W×L	TxWxL4 mm	35 × 100 × 920	35 × 100 × 920	35 × 100 × 920
3.09	Fork Carriage to DIN 15173 A/B		2A	2A	2A
3.10	Length to fork face	L' mm	1743	1797	1797
3.11	Overall Width	W1 mm	990 (1060*)	990 (1060*)	990 (1060*)
3.12	Outside Turning Radius	r mm	1413	1467	1467
3.13	Ground Clearance at mast ,Loaded	H5 mm	90	90	90
3.14	Ground Clearance at centre of wheelbase ,Loaded	H6 mm	100	100	100
3.15	Right Stack Aisle width (Pallet size 1000x1000mm, clearance	Ast mm	3034	3088	3088
3.16	Right Stack Aisle width (Pallet size 1200x1200mm, clearance 200mm)	Ast mm	3257	3311	3311
Performances					
4.01	Travel Speed,with/without load	km/h	12/12.5	12/12.5	12/12.5
4.02	Lifting Speed,with/without load	m/s	290/480	280/480	280/480
4.03	Lowering Speed,with/without load	m/s	550/450	550/450	550/450
4.04	Gradient performance , with/without load	%	13/20	8/14	11/18
4.05	Max. draw bar pull with load	N	7400	7030	7400
4.06	Acceleration time (10 metres) W/O load	s	4.7/5.0	4.7/5.0	4.7/5.0
Weight					
5.01	Total Approximate Weight(W/O battery)	kg	2684/2119	2897/2237	2897/2237
5.02	Axle Loading: Unloaded,Front/Rear	kg	1196/1488	1252/1645	1252/1645
5.03	Axle Loading: Loaded,Front/Rear	kg	3352/582	3790/607	3790/607
Battery					
6.01	Battery Voltage/rated capacity K <sub>5</sub> (min/max)	V/Ah	24/630 (630/875)	24/720 (720/1000)	24/720 (720/1000)
6.02	battery weight (min/max)	kg	570 (570/730)	660 (650/750)	660 (650/750)
6.03	Battery to DIN 43531/35/36/A/B/C		43535A	43535A	43535A
Motor & Controller					
7.01	Drive Motor - 60 Min. Rating	kW	5	4.2	5
7.02	Pump Motor - 15 Min. Rating	kW	6.2	6.2	6.2
7.03	Drive Motor Control Method		MOSFET/AC	MOSFET/AC	MOSFET/AC
7.04	Pump Motor Control Method		MOSFET/AC	MOSFET/AC	MOSFET/AC
7.05	Service Brake/Parking Brake		Hydraulic/Mechanical	Hydraulic/Mechanical	Hydraulic/Mechanical
7.06	Relief Pressure	Mpa	14.5	17.5	17.5

Note:\*Stands for widened carbody,3-stage mast Stands for widened carbody,the width is 1060mm.